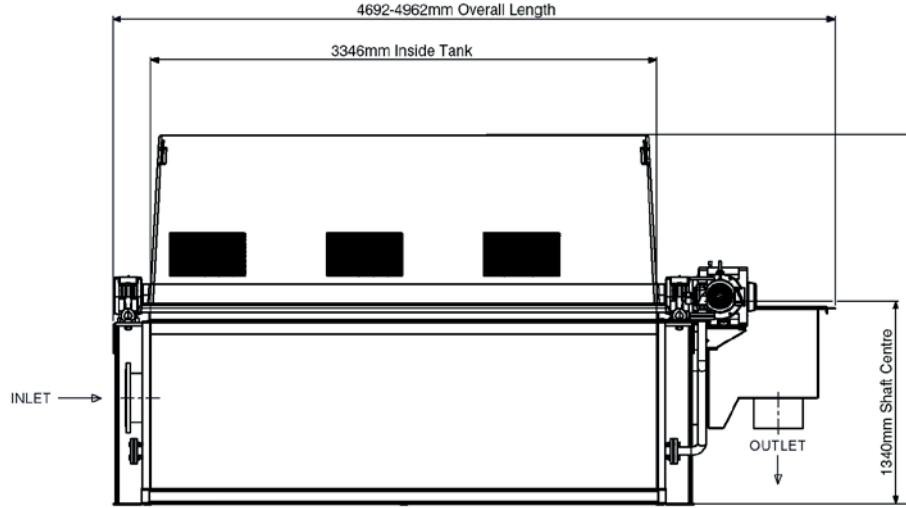
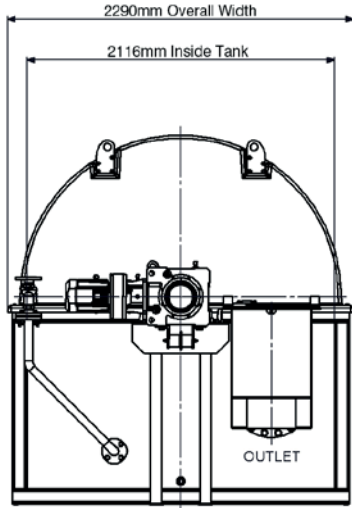


# TECHNICAL SPECIFICATION SHEET

# SMART™

## A BLUEWATER BIO TECHNOLOGY



### Technical Info.

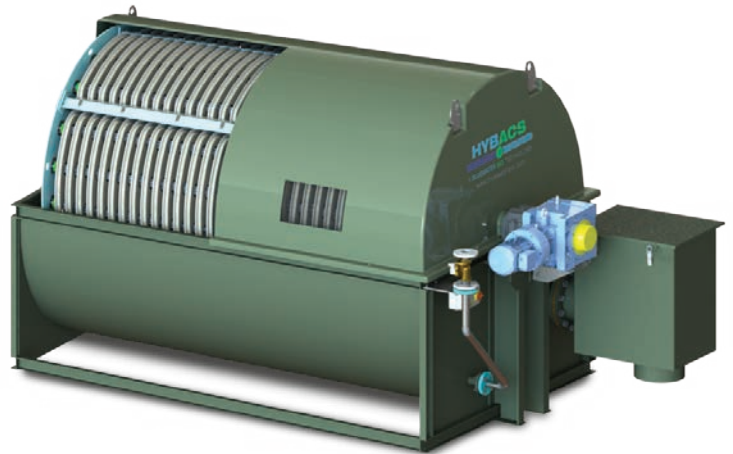
Population Equivalent	6,000-10,000
Maximum flow per unit:	80 l/s
Hydraulic loss at maximum flow:	50mm without weir box 250mm with weir box
Width of outlet weir:	500mm
Head over weir at max flow:	170mm
Weight (kg)	i) Dry load - 6,300kg ii) In service - 14,200kg
Dimensions (mm)	4,692-4,962 (L), 2,600 (W), 2,440 (H)
Motor rating (kW)	2.2
Air sparge	1Nm <sup>3</sup> /min at 250mbar (intermittent)
Instrument options	Self cleaning dissolved oxygen meter

### Materials

Item	Material	Coating
Tank	10mm carbon steel plate	Modified Epoxy
Rotating assembly	Carbon steel	Rilsan PA11
Rakes	25/5 HR19 cast stainless steel	N/A
Mesh	Proprietary high voidage plastic mesh	N/A
Gearbox	Cast iron	Modified Epoxy
Cover	GRP	Gelcoat / Flowcoat

### Technical Standards

Conforms to Supply of Machinery (Safety) Regulations 2008, Electrical Equipment (Safety) Regulations 2016, Electromagnetic Compatibility Regulations 2016, BS EN ISO 12100:2010, BS EN 60204-1:2018, BS EN 61000-6-2:2019 and BS EN 61000-6-4:2019



### Terminations

Inlet:	300mm dia. flange to PN16
Outlet:	300mm dia. flange to PN16
Optional outlet weir box:	324mm O/D spigot pipe
Air sparge:	50mm flange to PN16

# BLUEWATER BIO



📍 Winchester House, 259-269 Old Marylebone Road, London, NW1 5RA.

📞 UK: +44 (0)845 519 5800  
Int: +44 (0)20 7908 9500

@ enquiries@bluewaterbio.com

www.bluewaterbio.com